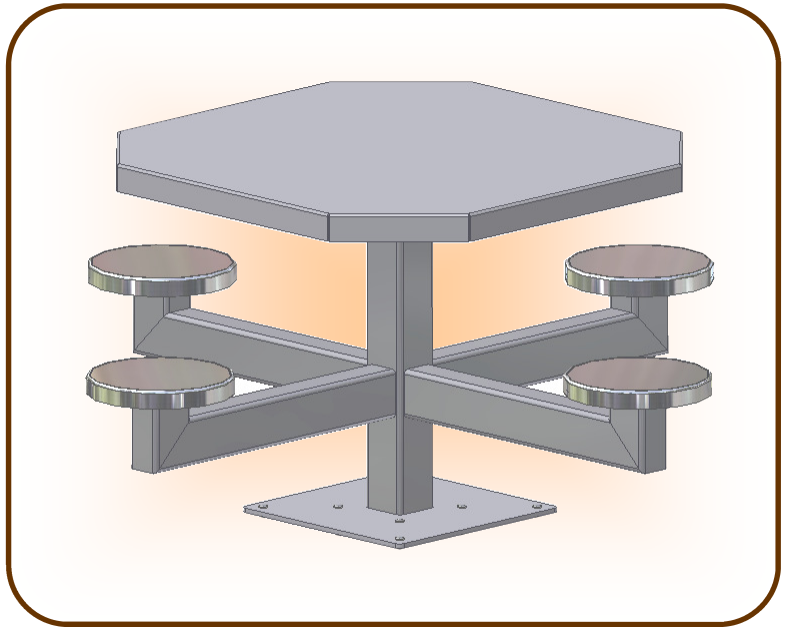


## Pedestal Table- Floor Mount– Stainless Steel Top

## TABLE

<u>JCP Models</u>	<u>Description</u>
J-1-3641	Two Seat Pedestal Table w/ Stainless Steel Top
J-1-3642	Four Seat Pedestal Table w/ Stainless Steel Top (shown)
J-1-3643	Six Seat Pedestal Table w/ Stainless Steel Top
J-1-3644	Eight Seat Pedestal Table w/ Stainless Steel Top
J-1-3661	Two Seat Pedestal Table w/ Stainless Steel Top, Finish Paint
J-1-3662	Four Seat Pedestal Table w/ Stainless Steel Top, Finish Paint
J-1-3663	Six Seat Pedestal Table w/ Stainless Steel Top, Finish Paint
J-1-3664	Eight Seat Pedestal Table w/ Stainless Steel Top, Finish Paint



**JCP Specifications:** Pedestal table tops are 40" x 40" and are fabricated from 10 gauge stainless steel, which is reinforced with a 10 gauge HRPO steel plate. Additional top reinforcement is provided by four 10 gauge HRPO steel channels from the pedestal to the edge of the table top. The single pedestal is fabricated from a 7 gauge x 4" x 4" tube steel and is welded to the top reinforcement and the 3/8" x 18" x 18" Base Plate, which has eight 1/2" holes for securing the pedestal table to the floor. The seat support is fabricated from 7 gauge x 3" x 4" tube steel and the distance from edge of the seat top to edge of the opposite seat top is 66". The 12" diameter seat top is fabricated from 14 gauge stainless steel and has a 7 gauge HRPO reinforcement plate. The table is shipped as one unit and receives one shop coat of our standard primer, excluding the stainless steel top and seat tops which have a random orbital finish.

The two seat pedestal table will have a single pedestal and two seats opposite of each other.

The four seat pedestal table will have a single pedestal and four seats as shown.

The six seat pedestal table will have two pedestals and three seats per pedestal.

The eight seat pedestal table will have two pedestals with three seats per pedestal, and one pedestal with two seats opposite of each other.

Pedestal tables specified to receive finish paint will receive one shop coat of our standard primer and one shop coat of standard finish paint with a textured finish. Finish paint color will be from our standard finish paint color palette.

Note: Floors must be flat and true within 1/16" +/- for the proper installation of the pedestal table. Installer to furnish and install the eight mushroom head spikes to secure the pedestal table to the floor. Special pedestal table sizes, gauges, or construction may be available on a per project basis for additional cost, please contact a JCP estimator for pricing and availability.

### **JAILS CORRECTIONAL PRODUCTS** A Division of **FABCOR, Inc.**

350 South Ohio Street, P.O. Box 58  
Minster, Ohio 45865  
www.fabcor.com

Phone: (419) 628- 4428  
Fax: (419) 628- 2899  
E-mail: jails@fabcor.com

Equipment Assembly

**EA-11.03**

Revision C

©2003 Fabcor, Inc.